

Technical Information

- CV Check Valves
- SH Shuttle Valves
- LM Load/Motor Controls
- FC Flow Controls
- PC Pressure Controls
- LE Logic Elements
- DC Directional Controls
- MV Manual Valves
- SV Solenoid Valves
- PV Proportional Valves
- CE Coils & Electronics
- BC Bore & Cavities
- TD Technical Data

General Description

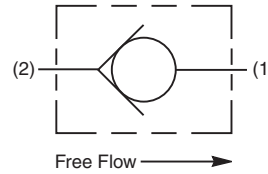
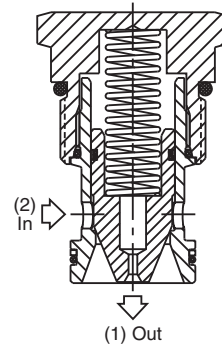
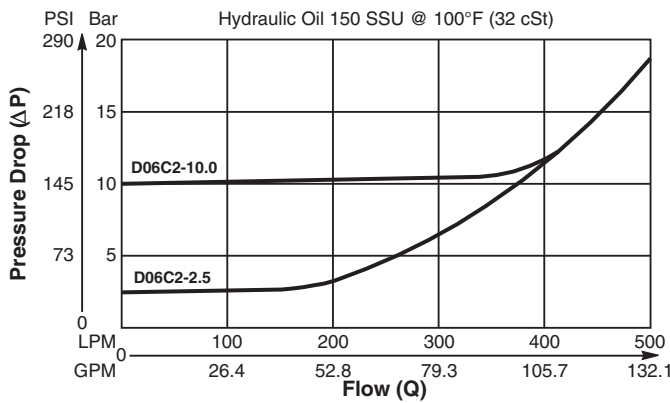
Poppet Type Check Valve. For additional information see Technical Tips on pages CV1-CV4.

Features

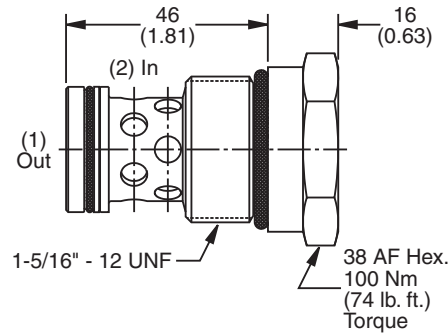
- High flow capacity
- Poppet type construction for minimal leakage - less than 3 drops/min.
- Hardened poppet for maximum durability
- Good contamination tolerance
- All external parts zinc plated

Performance Curve

Pressure Drop vs. Flow (Through cartridge only)



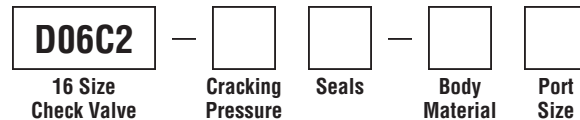
Dimensions Millimeters (Inches)



Specifications

Rated Flow	500 LPM (132 GPM)
Nominal Flow @ 7 Bar (100 PSI)	300 LPM (79 GPM)
Maximum Inlet Pressure	420 Bar (6000 PSI)
Leakage at 150 SSU (32 cSt)	Less than 3 drops/min.
Cartridge Material	Steel operating parts, hardened steel poppet.
Operating Temp. Range/Seals	-34°C to +121°C (Nitrile, Buna-N) (-30°F to +250°F) -26°C to +204°C (Fluorocarbon) (-15°F to +400°F)
Fluid Compatibility/Viscosity	Mineral-based or synthetic with lubricating properties at viscosities of 45 to 2000 SSU (6 to 420 cSt)
Filtration	ISO-4406 18/16/13, SAE Class 4
Approx. Weight	.26 kg (.57 lbs.)
Cavity	C16-2 (See BC Section for more details)

Ordering Information



Code	Cracking Pressure
2.5	2.5 Bar (36 PSI) Std.
3.4	3.4 Bar (50 PSI)
6.9	6.9 Bar (100 PSI)
10.0	10.0 Bar (145 PSI)

Code	Body Material
Omit	Steel
A	Aluminum

Code	Seals / Kit No.
N	Nitrile, Buna-N / (SK30514N-1)
V	Fluorocarbon / (SK30514V-1)

Code	Port Size	Body Part No.
Omit	Cartridge Only	
8T	SAE-8	(B16-2-*8T)
12T	SAE-12	(B16-2-*12T)
16T	SAE-16	(B16-2-*16T)

* Add "A" for aluminum, omit for steel.